

1 2 3 4 5 6 7 8

A

A

B

B

C

C

D

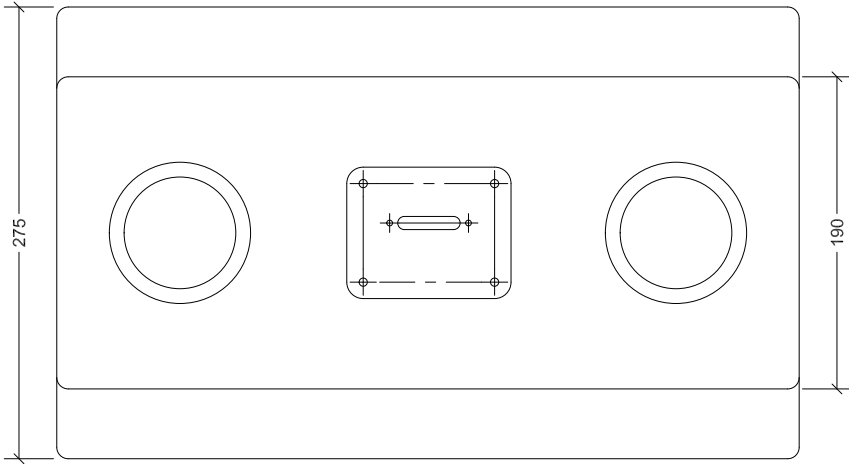
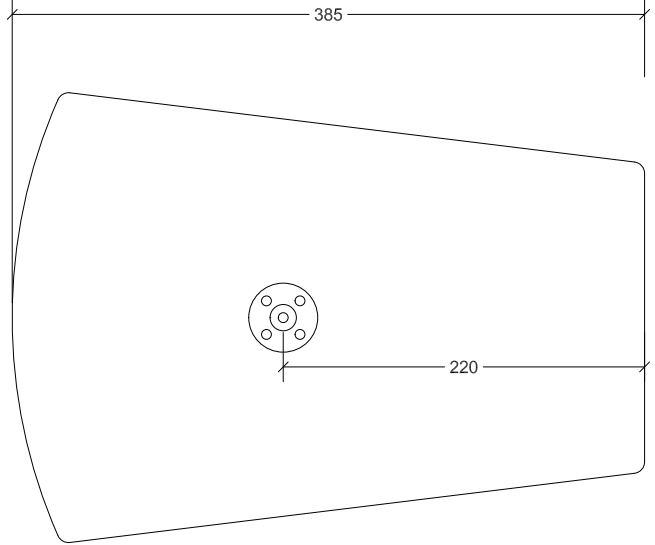
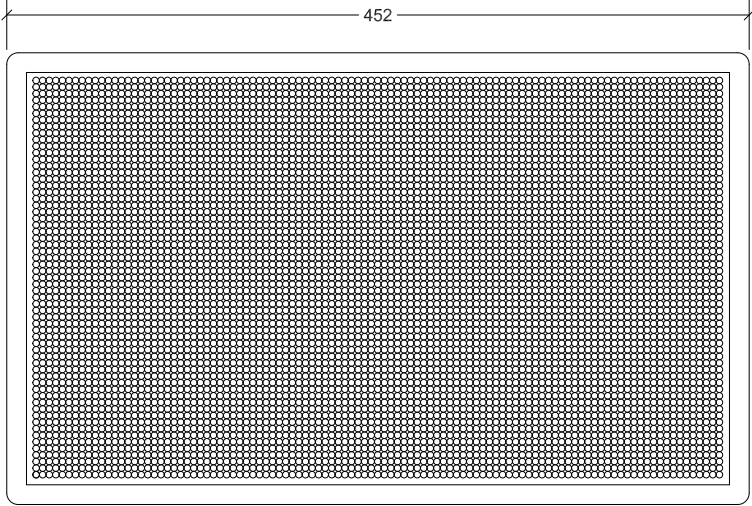
D

E

E

F

F



A 16.03.2007 Original Issue	acoustic technologies			
	Drawn B. Hall	Checked	Approved	Revision A
	LG09 General Arrangement			Scale 1:3
			Sheet 1 of 1	
			AT-A3-223	

1 2 3 4 5 6 7 8